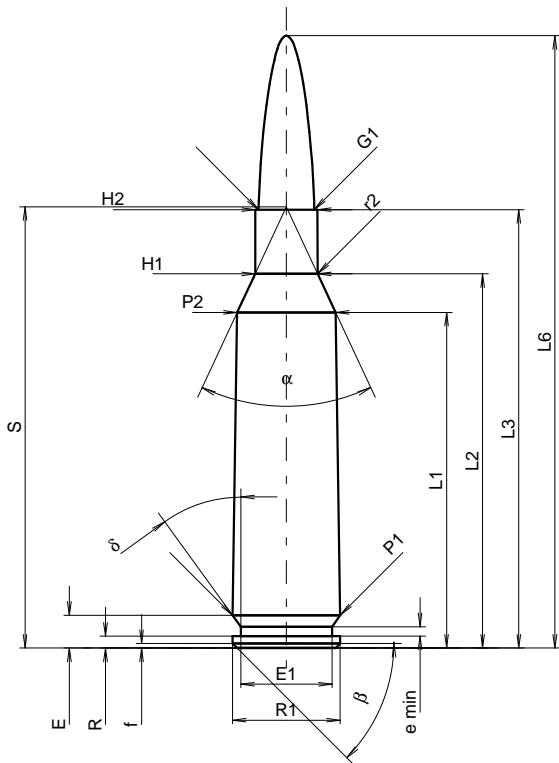


TAB.	I
Date	08-06-20
Revision	0



CARTRIDGE MAXI

Lengths

L1	=	63.59
L2	=	70.89
L3	=	83.06
L4	=	
L5	=	
L6	=	116.00

Case Head

R	=	2.26
R1	=	20.42
R3	=	
E	=	6.23
E1	=	17.27
e min	=	1.80
delta	=	36°
f	=	0.84
beta	=	45°

Powder Chamber

P1	=	20.42
P2	=	18.64

Junction Cone

alpha	=	50°
S	=	83.571
r1 min	=	
r2	=	3.20

Collar

H1	=	11.83
H2	=	11.78

Projectile

G1	=	10.566
G2	=	
F	=	
L3+G	=	91.10

Pressures (Energies)

Method Transducer

Pmax	=	4500 bar
PK	=	5175 bar
PE	=	5625 bar
M	=	25.00

Miscellaneous Dimensions

Fe	=	0.15
delta L	=	

CHAMBER MINI

Lengths

L1	=	63.56
L2	=	70.86
L3	=	83.31 +0.10

Breech

R	=	
R1	=	20.52
R2	=	
R3	=	
r	=	

Powder Chamber

E	=	5.08
P1	=	20.45
P2	=	18.67

Junction Cone

alpha	=	50°
S	=	83.573
r1 max	=	
r2	=	3.00

Collar

H1	=	11.86
H2	=	11.81 +0.05

Commencement of Rifling

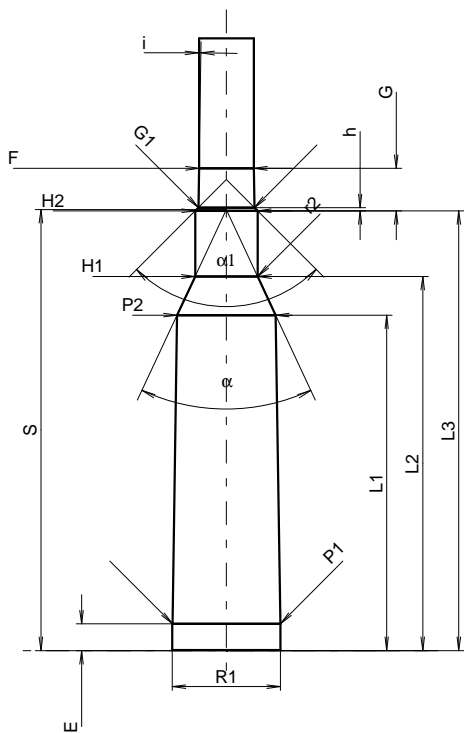
G1	=	10.617
G	=	8.04
alpha1	=	90°
h	=	0.597
s	=	
i	=	1°
w	=	

Barrel

F	=	10.363 +0.03
Z	=	10.566 +0.03

Grooves

b	=	3.25
N	=	6
u	=	289.00
Q	=	86.36 mm²



Scale 1:1.43

Notes: